

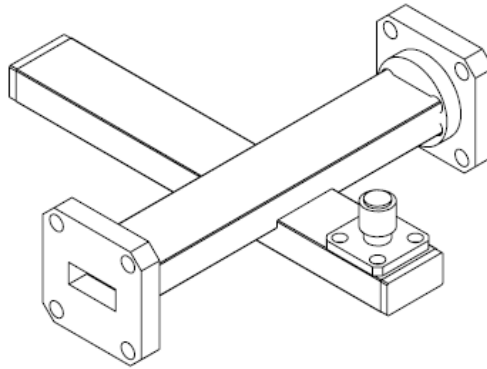


Model Number:
WGC-XX-197019

RF Components

X-Band Cross Guide Coupler

7.05 - 10.00GHz



Specification			
WG Size	WG15 / WR112 / R84		
Coupling	20±1.5 dB	30±1.0 dB	40±1.0 dB
Frequency Range	7.05-10.00 GHz		
Finish	Brass Flanges Copper WG Black Paint		
Flange Options	UG51/U (UF) / UG52B/U (UG) CPR 112G (CG) / CPR 112F (CF) CBR 85 (CB) / PDR 84 (PD) PBR 84 (PB) / UDR 84 (UD) UBR 84 (UB) / UG 51/U (US)		
RF Connector Options	50 Ω SMA Male (S4) /Female (S5) 50 Ω N-type Male (N4) /Female (N5)		
Main Line VSWR / Return Loss (max)	1.3:1 / 17.4	1.2:1 / 20.4	1.05:1 / 32.3
Directivity (typ)	20 dB	20 dB	20 dB
Dimensions	A-175mm B-100mm C-14mm		

Model Numbers						
Example: WGC-20-197019-UBPB N5						
WG	C	20	197019	UB	PB	N5
Waveguide	C-Cross Guide D-Dual Arm B-Broad wall	Coupling Factor	Model Number	Flange 1	Flange 2	RF connector

Broadcast



Marine Oil & Gas



SNG & VSAT



Satellite Teleport

